

# Emerald GEM™ Trap

## GEM Steam Trap Technical Datasheet



EUK | Rev 7 | Nov 2016

### The GEM Trap

The GEM Trap is a low maintenance steam trap with no moving parts; it will not wear and is performance guaranteed\* on saturated steam for 10 years. The unique orifice and multistaged throat technology utilises the expansion of the flash steam created by the pressure differential across the trap to control the flow of condensate.

Operating over variable loads, the GEM Trap will suit all industrial applications. The single piece bodies are manufactured from wear and corrosion resistant grades of stainless steel.

The GEM Trap is the most energy efficient steam trap on the market and is supplied with a full sizing and commissioning service.

### THE EMERALD GEM TRAP

Emerald Traps contain GEM's inverted cone technology and a robust reinforced mesh strainer basket with large surface area to further protect the orifice from debris.

- ▶ Designed for use with the universal 2 bolt Quick Fit Adaptor
- ▶ Quick and easy to install
- ▶ Fully maintainable in-line
- ▶ Easy access to both strainer basket and orifice chamber

#### Suitable Applications

- ▶ Low condensate duty applications
- ▶ Line drainage / trace heating

#### Operating Parameters

- ▶ TMA 400°C (750°F)
- ▶ PMA 50 barg (730 psig)

#### Ancillary Parts

- ▶ Insulation Jacket
- ▶ Optional drainage valve

#### Available Spares

- ▶ Quality Metakamm® graphite-faced gasket with SS core
- ▶ Robust SS reinforced strainer basket

#### Sizes and Connection Types Available

- ▶ The Emerald GEM Trap has a Universal Quick Fit Adaptor (QFA) connection. The Quick Fit Adaptor may be supplied in the following connection types:

QFA	Flanged	Threaded BSPT / NPT	Socket Weldable
DN15 / ½"	On request	✓	✓
DN20 / ¾"	On request	✓	✓



### Key GEM Trap Benefits

#### Quality, Efficiency, Reliability and Service

##### Permanent Energy Savings

- ▶ Typical payback < 2 years
- ▶ Inherently more efficient than mechanical steam traps

##### 10 Year Performance Guarantee\*

- ▶ No moving parts to wear or fail
- ▶ No inserts – no leak path

##### Reduced Maintenance

- ▶ No on-going trap surveys
- ▶ Minimal annual maintenance

##### Improved Process Control

- ▶ No pressurisation of condensate return system
- ▶ Elimination of steam trap related waterhammer

##### Performs Across Industrial Variable Loads

- ▶ Each trap supplied with full sizing and commissioning service

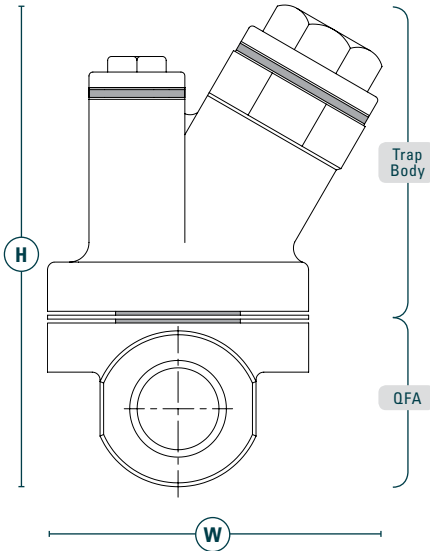
\* Reduced guarantee offered for superheated steam

# Emerald GEM™ Trap

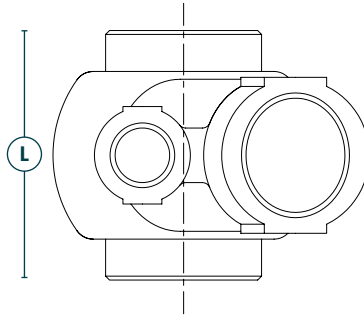
## GEM Steam Trap Technical Datasheet



### Product Diagram



### Quick Fit Adaptor (QFA)



### Dimensions and Weights

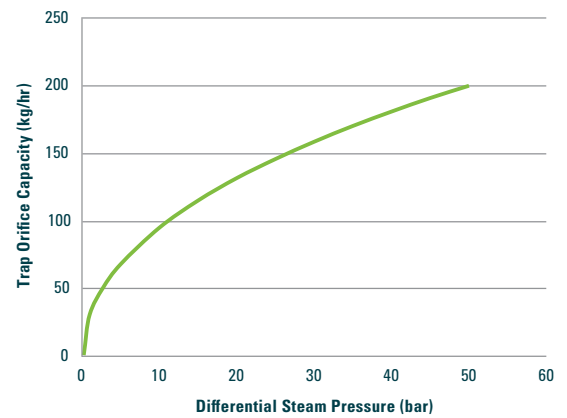
EMC15	(DN15 / 1/2")	With QFA (DN15 / 1/2")
Height (H)	79mm	117mm
Length (L)	43mm	62mm
Width (W)	85mm	85mm
Weight	0.7kg	1.5kg

EMC20	(DN20 / 3/4")	With QFA (DN20 / 3/4")
Height (H)	79mm	125mm
Length (L)	43mm	64mm
Width (W)	85mm	85mm
Weight	0.7kg	1.6kg

### Materials

Part	Material
Body	Cast Stainless Steel ASTM A351 CF8M / GX5CrNiMo 19-11-2 1.4408
Orifice cap	Stainless Steel ASTM A479 304 / BS EN 10088-3 1.4301
Strainer basket	Reinforced 316 Stainless Steel 60 Mesh
Gaskets	Metakamm® 316 Stainless Steel Core / Graphite-faced
Strainer cap	Cast Stainless Steel ASTM A351 CF8M
Emerald Quick Fit Adaptor 15mm	Cast Stainless Steel ASTM A351 CF8M / GX5CrNiMo 19-11-2 1.4408
Emerald Quick Fit Adaptor 20mm	Stainless Steel ASTM A479 316 / BS EN 10088-3 1.4401

### Discharge Capacity



Maximum discharge capacity for Emerald Trap at saturation temperature.\*

The GEM Trap will have 2-3 times the capacity at start-up.

\* Actual capacity is dependent on internal sizing configuration.

- ▶ Full product traceability is part of our Quality Assurance procedure
- ▶ Type 3.1 material certification to BS EN 10204:2004
- ▶ Thermal Energy reserve the right to amend material specification

All certification/inspection requirements must be stated at time of order placement.

### FOR FURTHER INFORMATION

For further information on the full GEM Trap range contact us at [enq@thermalenergy.com](mailto:enq@thermalenergy.com) or visit [www.thermalenergy.com](http://www.thermalenergy.com)



An Innovative Technology Company Providing Custom Energy and Emission Reduction Solutions

[enq@thermalenergy.com](mailto:enq@thermalenergy.com) / [www.thermalenergy.com](http://www.thermalenergy.com)